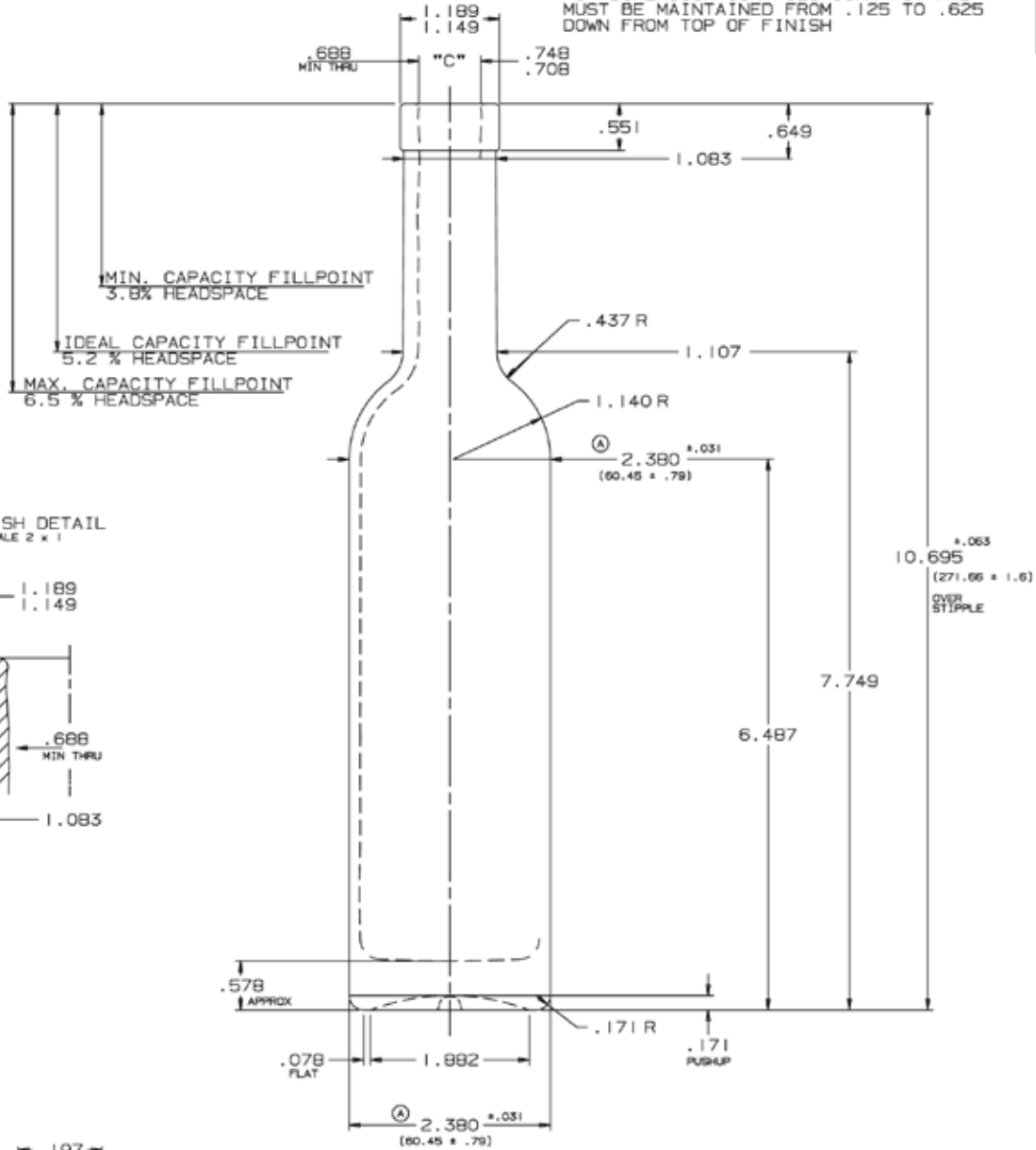
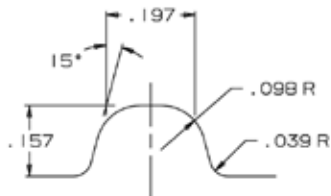
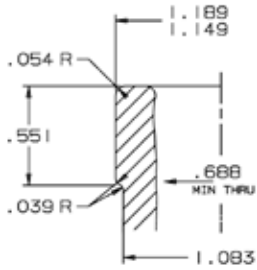


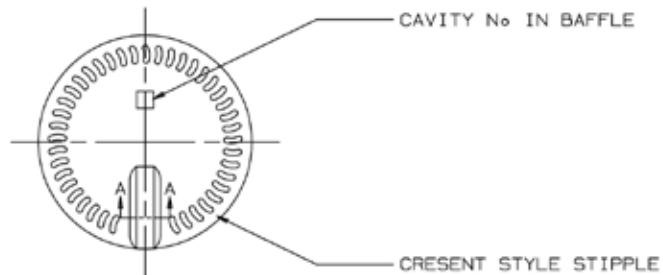
"C" DIMENSION CONTROLS CORK FIT AND MUST BE MAINTAINED FROM .125 TO .625 DOWN FROM TOP OF FINISH



FINISH DETAIL
SCALE 2 x 1



SECTION A-A
SCALE 5 x 1



CUSTOMER	ARIZONA
TITLE	375 ml
PRACTICAL FILL	395.5 cc ± 5.5 cc OF
CAPACITY	18.5 MM CORK
FINISH	426.0 GRAMS FLINT
FIELD NUMBER	
SCALE FULL UNLESS SPECIFIED	
SCALE APPROXIMATE SPECIFIED	APPROX. MP. 15.02 0.2
REVISED	REVISED

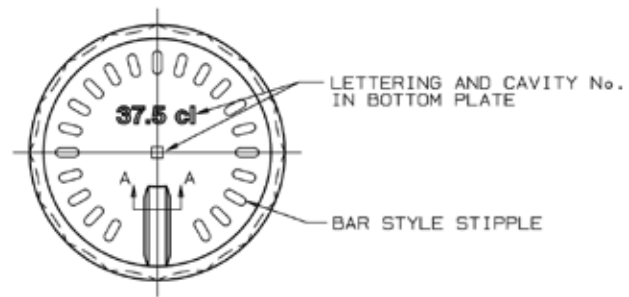
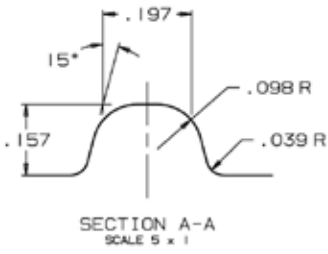
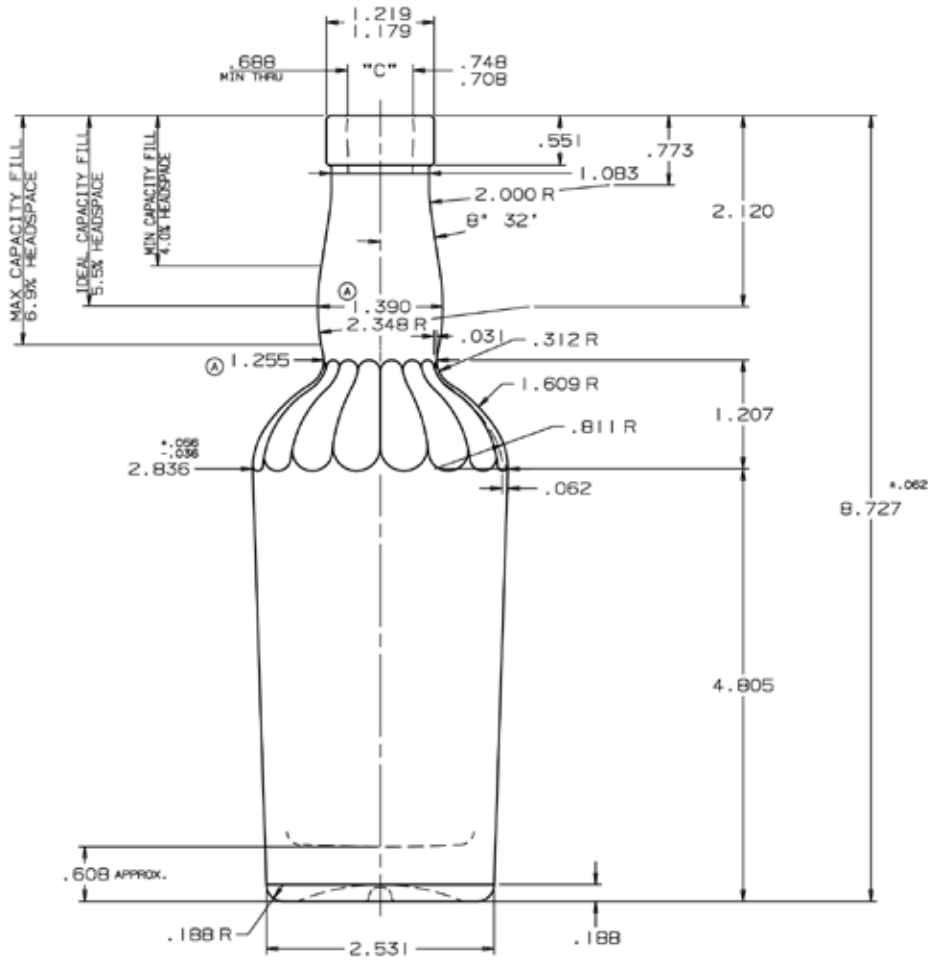
DRAWING NO: C- 410.33A

375ML ARIZONA



P 888.326.5679 | F 847.486.5284 | E distiller@imperial-packaging.com
www.imperial-packaging.com

"C" DIMENSION CONTROLS CORK FIT AND MUST BE MAINTAINED FROM .125 TO .625 DOWN FROM TOP OF FINISH

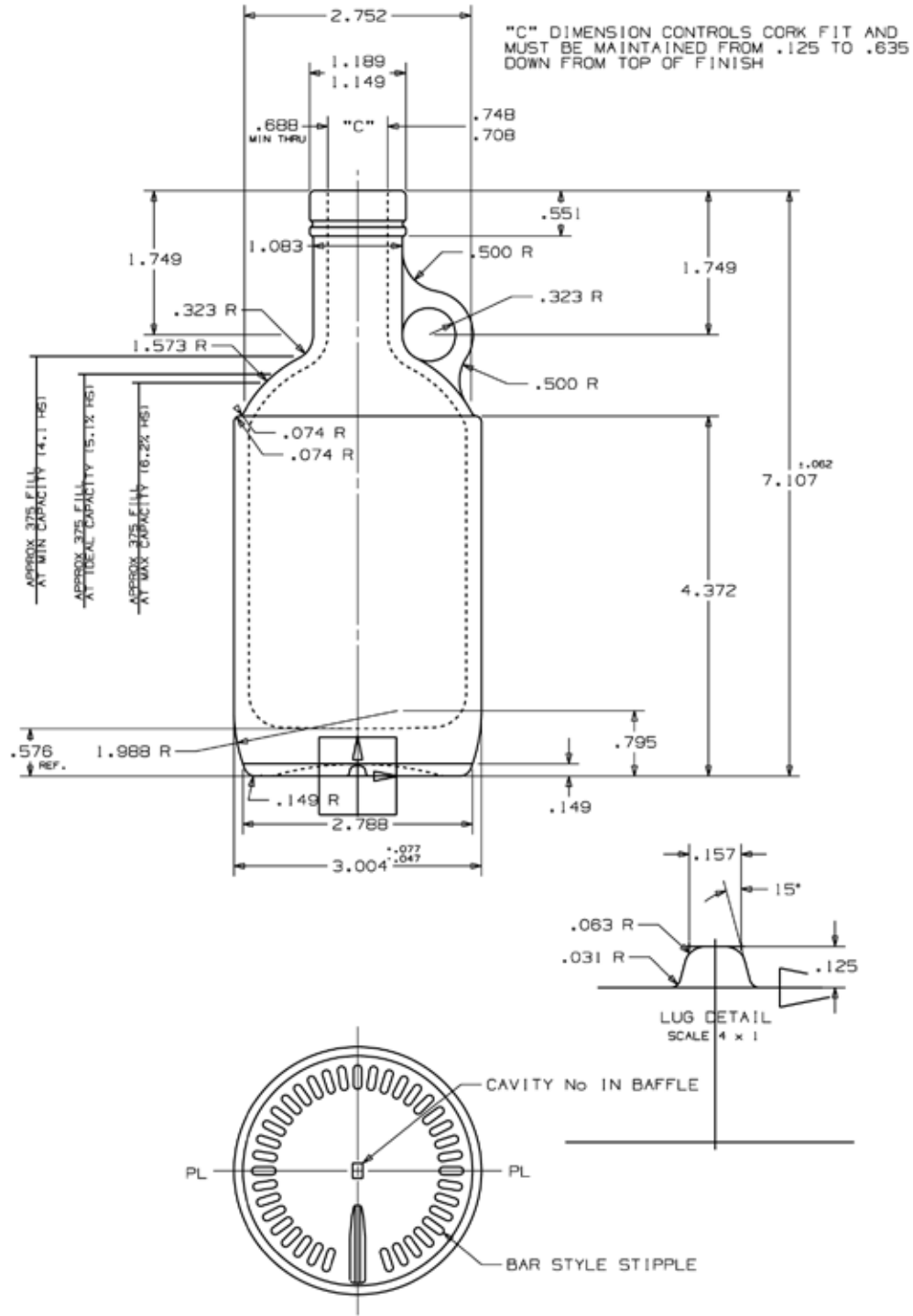


CUSTOMER	JIMMY LEE	REVISED NO. L-950FT	REVISED NECK AREA 1/20/
TITLE	375ml	SCALE ORIENTED UNIFIED	REVISED NO. REV181098
PRACTICAL FILL	390-401cc OF	APPROX. WT. 15.169oz	
CAPACITY	SPECIAL 18.5MM BAR TOP		
FINISH			DRAWING NO: C-41009A

375ML JIMMY LEE



P 888.326.5679 | F 847.486.5284 | E distiller@imperial-packaging.com
 www.imperial-packaging.com



CUSTOMER	MOONSHINE	REVISED NO. L-945FT	REVISIONS
TITLE	375ml	SCALE	APPROX. NET WT. 16.030oz
CAPACITY	390.2-398.2cc OF		
FINISH	BAR TOP		

15+50 GRAMS FLINT

DRAWING NO: C-40BBO

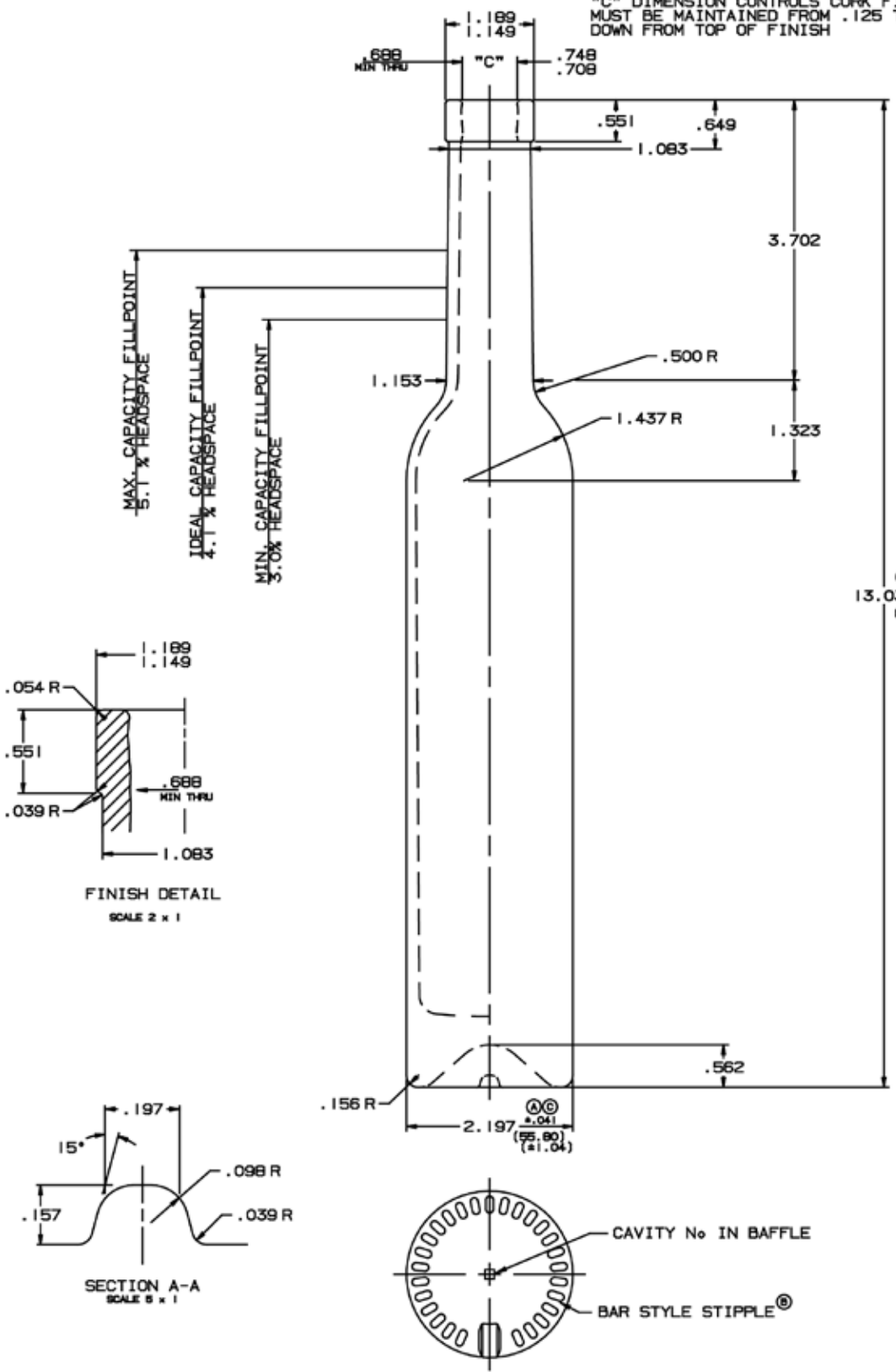
375ML MOONSHINE JUG



IMPERIAL- PACKAGING CORP.

P 888.326.5679 | F 847.486.5284 | E distiller@imperial-packaging.com
 www.imperial-packaging.com

"C" DIMENSION CONTROLS CORK FIT AND MUST BE MAINTAINED FROM .125 TO .625 DOWN FROM TOP OF FINISH



13.031 ^{+0.078}
(331.0)
(±1.98)

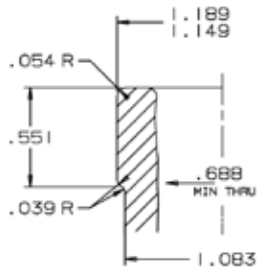
2.197 ^{+0.041}
(55.80)
(±1.04)

QUANTITY	516.00 GRAMS FLINT
SKU	NIAGARA
DESCRIPTION	NIAGARA
PRactical FILL	375ml
CAPACITY	391.2-399.2cc OF
FINISH	BAR TOP
NET CONTENTS	NIAGARA No. 1-920FT
TRADE NAME	NIAGARA
APPROX. WGT.	18.20 oz

375ML NIAGARA

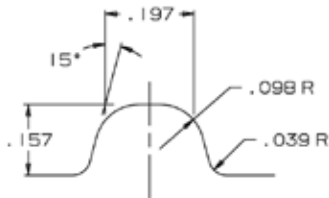
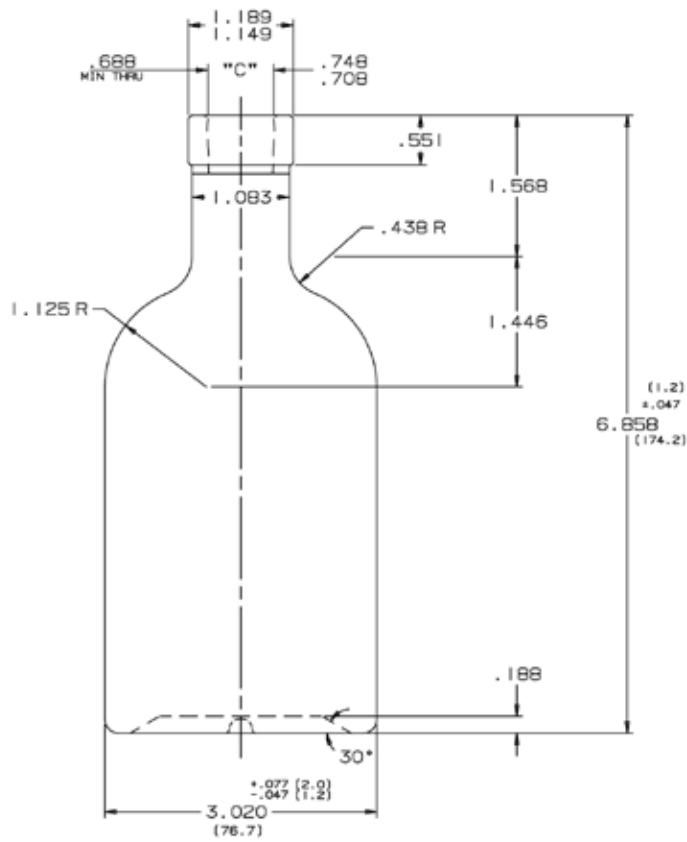


P 888.326.5679 | F 847.486.5284 | E distiller@imperial-packaging.com
www.imperial-packaging.com

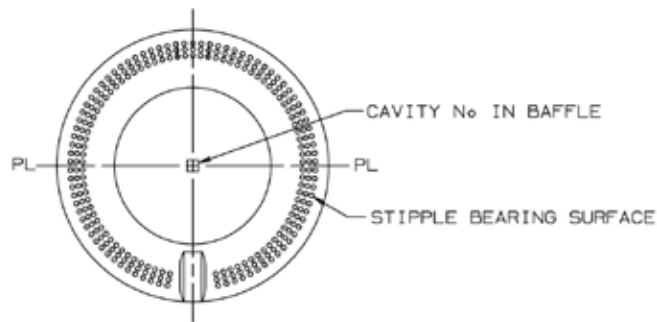


FINISH DETAIL
SCALE 2 x 1

"C" DIMENSION CONTROLS CORK FIT AND
MUST BE MAINTAINED FROM .125 TO .625
DOWN FROM TOP OF FINISH



SECTION A-A
SCALE 5 x 1



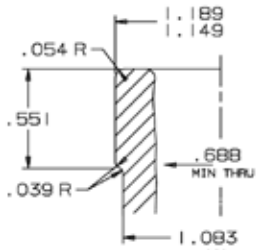
WELD REGISTER NO.		DRAWING NO: C-40833	
SCALE DIMENSIONS SPECIFIED		REVISIONS	
APPROX. WT. 14.5830 Z			
CUSTOMER	NORDIC	412.11 GRAMS FLINT	
TITLE	375 ml		
PRACTICAL FILL	390 cc - 401 cc OF		
DENSITY	BAR TOP		
FINISH			

375ML NORDIC



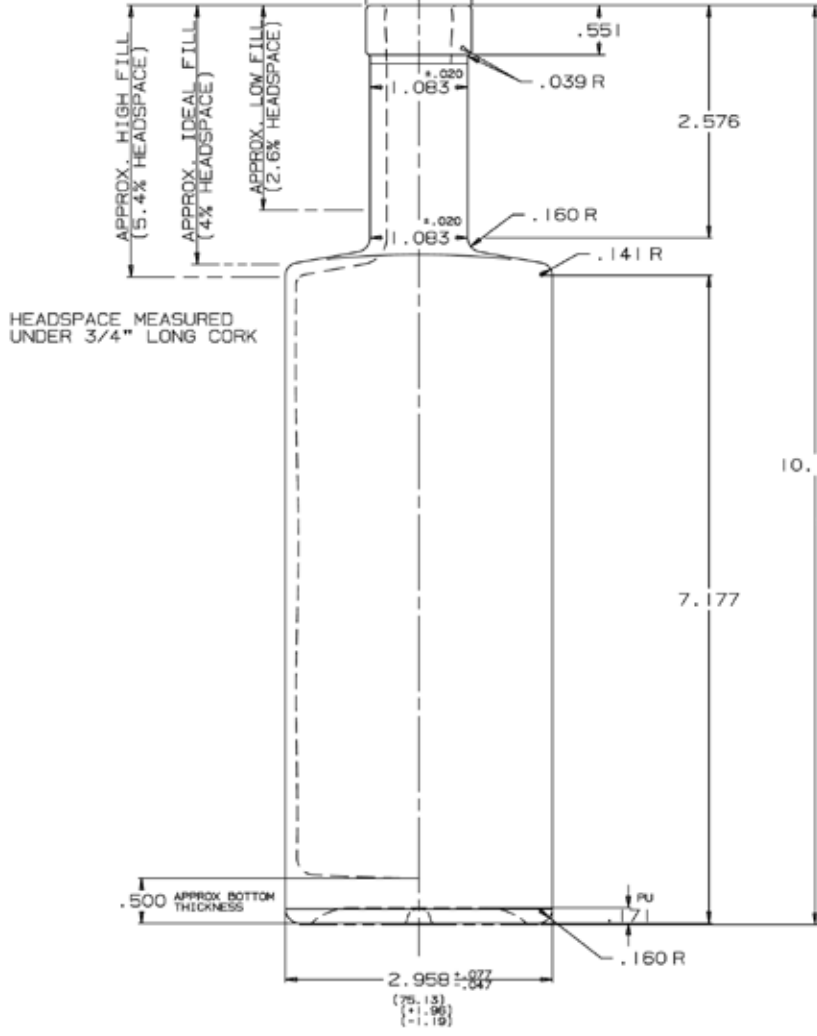
IMPERIAL-PACKAGING CORP.

P 888.326.5679 | F 847.486.5284 | E distiller@imperial-packaging.com
www.imperial-packaging.com

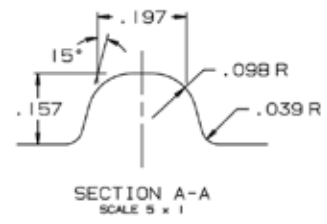
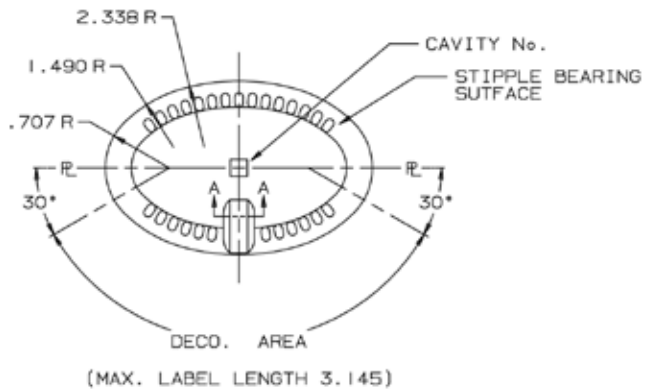
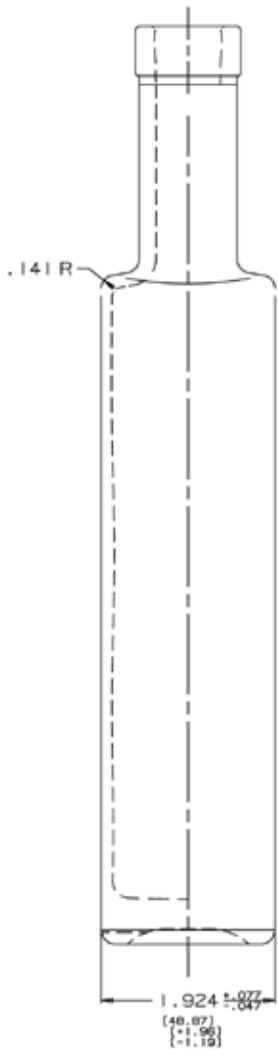


"C" DIMENSION CONTROLS CORK FIT AND MUST BE MAINTAINED FROM .125 TO .625 DOWN FROM TOP OF FINISH

FINISH DETAIL
SCALE 2 x 1



HEADSPACE MEASURED UNDER 3/4" LONG CORK



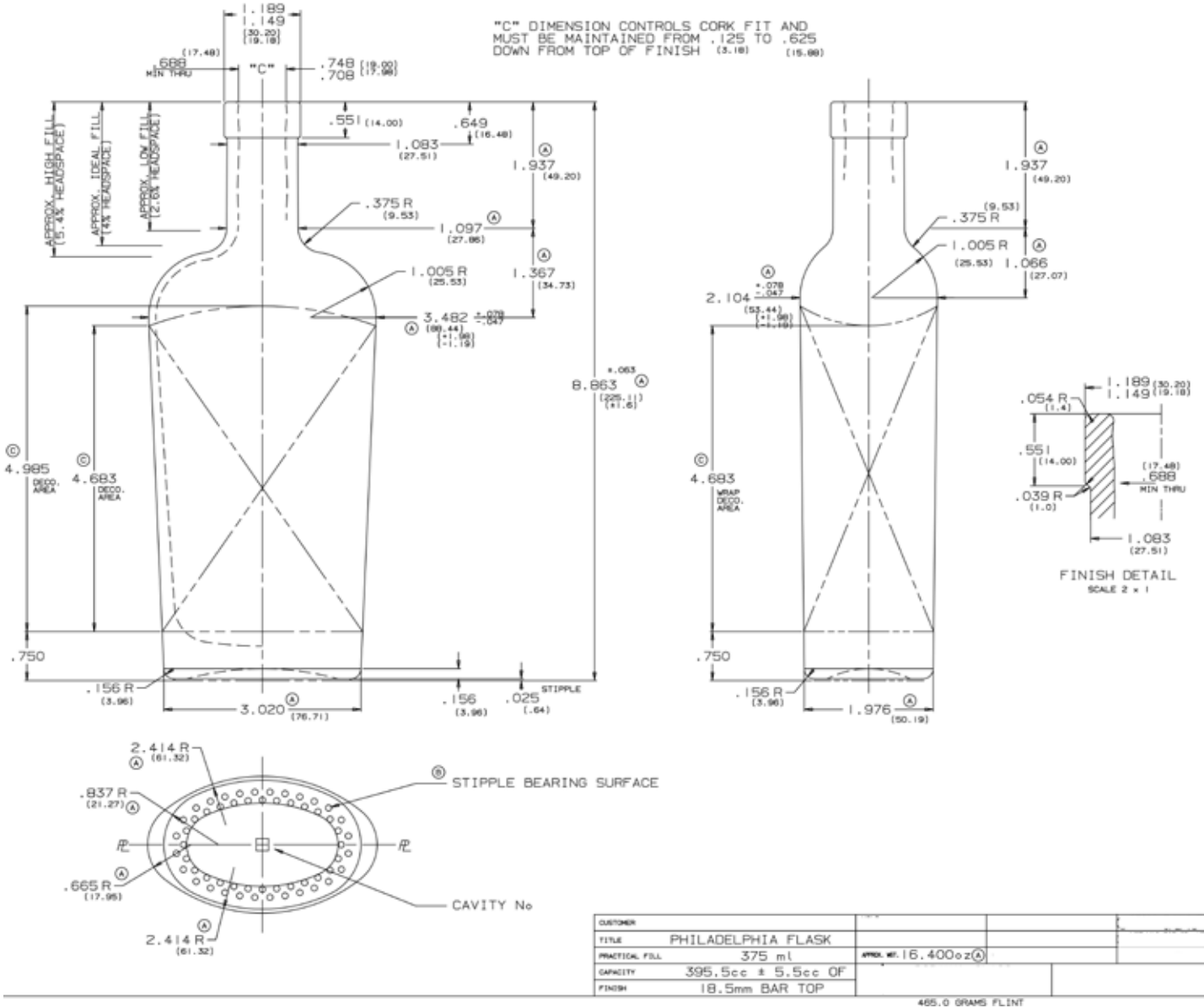
375ML OVAL

CUSTOMER	NO. 0 REGISTER NO.	NO. 0 REGISTER NO.
TITLE	SCALE OTHER THAN SPECIFIED	SCALE OTHER THAN SPECIFIED
ST. LOUIS OVAL	APPROX. WT. 16.40 OZ	APPROX. WT. 16.40 OZ
375 ML		
CAPACITY 390.0 cc = 401.0 cc OF		
21.5mm BAR TOP		
FINISH		
		REVISIONS
		DRAWING NO. C- 40963

APPROX. 0.000000 PLT INT



P 888.326.5679 | F 847.486.5284 | E distiller@imperial-packaging.com
www.imperial-packaging.com

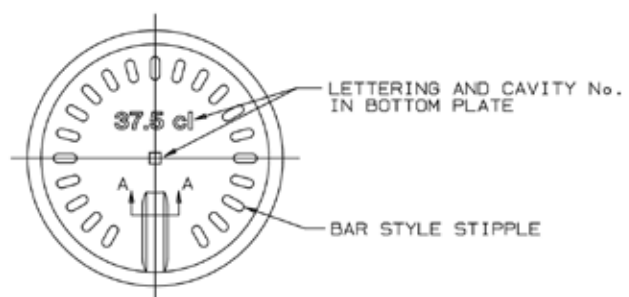
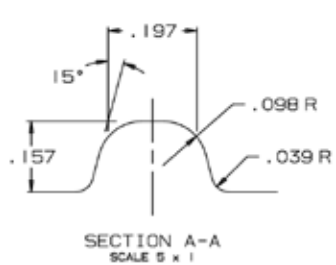
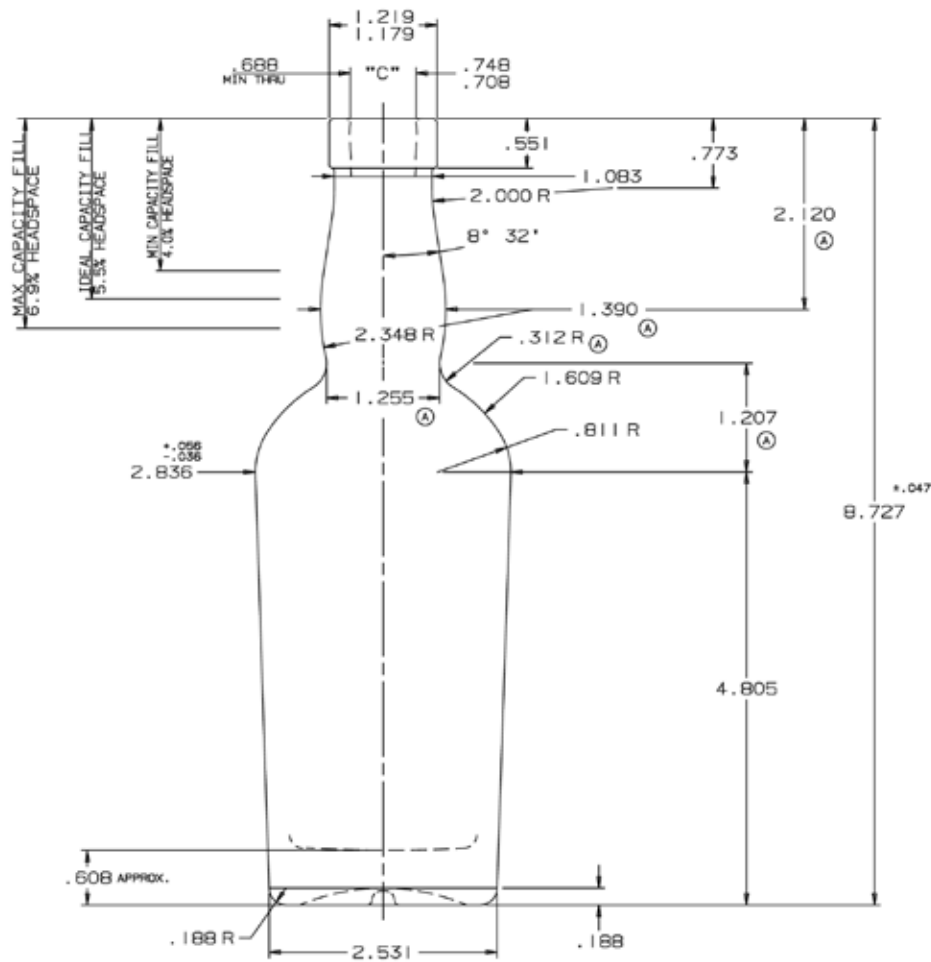


375ML PHILADELPHIA



P 888.326.5679 | F 847.486.5284 | E distiller@imperial-packaging.com
 www.imperial-packaging.com

"C" DIMENSION CONTROLS CORK FIT AND
MUST BE MAINTAINED FROM .125 TO .625
DOWN FROM TOP OF FINISH



CUSTOMER	TENNESSEE	OLD REVISION NO.	
TITLE	375ml	SCALE OTHER THAN SPECIFIED	
PRACTICAL FILL	390-401 cc OF	APPROX. WT.	15.250 oz
CAPACITY	SPECIAL 18.5MM BAR TOP		
FINISH			

DRAWING NO: C-4-1007A

4.32 .38 GRANS FLINT

375ML TENNESSEE



P 888.326.5679 | F 847.486.5284 | E distiller@imperial-packaging.com
www.imperial-packaging.com