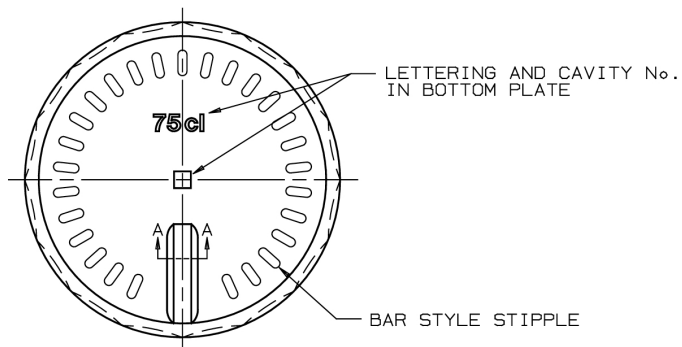
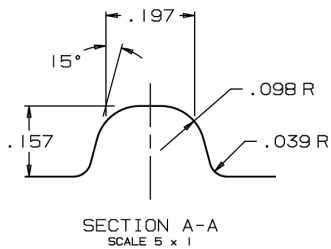
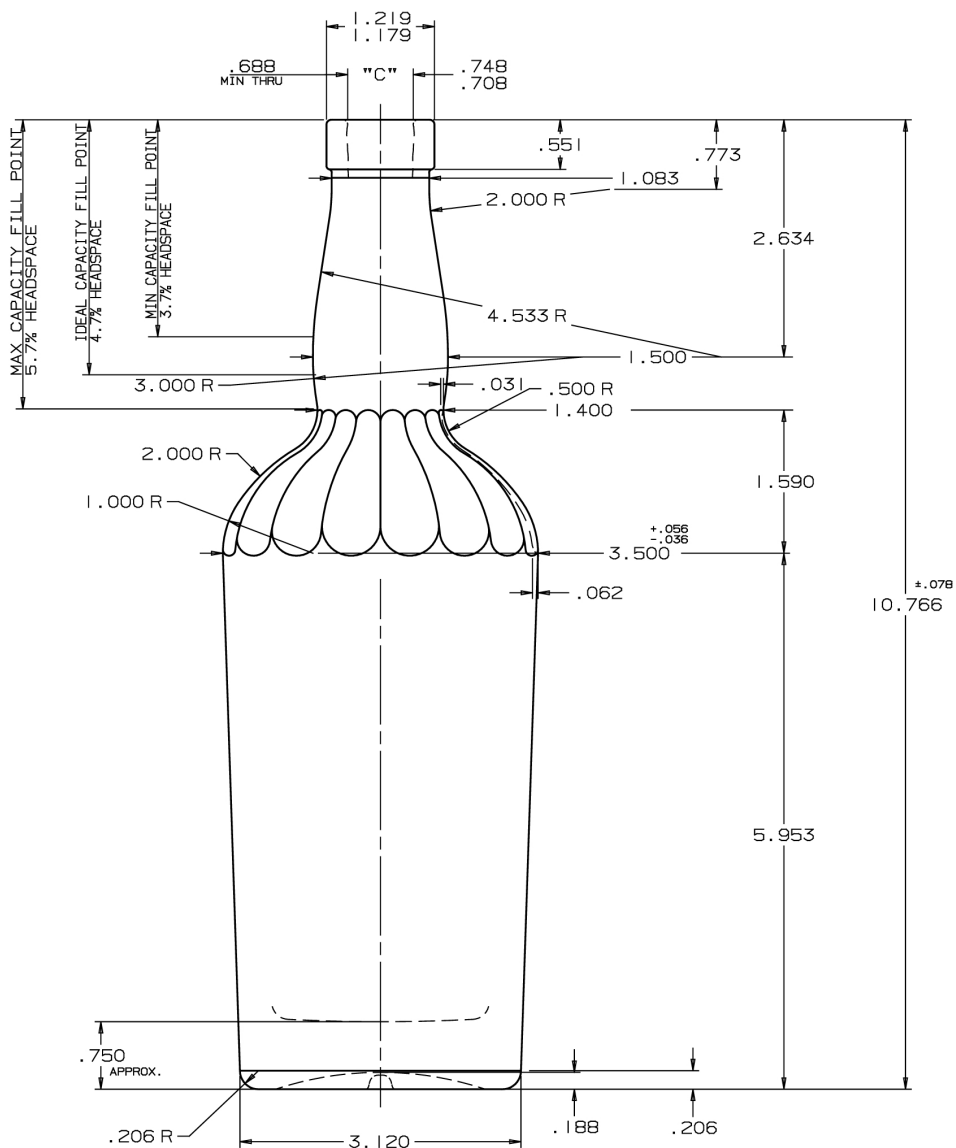


"C" DIMENSION CONTROLS CORK FIT AND MUST BE MAINTAINED FROM .125 TO .625 DOWN FROM TOP OF FINISH



**750ML JIMMY LEE**

CUSTOMER	JIMMY LEE
TITLE	SCALE FULL UNLESS OTHERWISE SPECIFIED
PRACTICAL FILL	750 ml
CAPACITY	785.0 cc ± 7.5 cc OF
FINISH	SPECIAL 18.5MM BAR TOP
APPROX. WGT.	23.109 oz
CHECKED BY	

DRAWING NO: C-40993

655 GRAMS FLINT



P 888.326.5679 | F 847.486.5284 | E distiller@imperial-packaging.com  
www.imperial-packaging.com