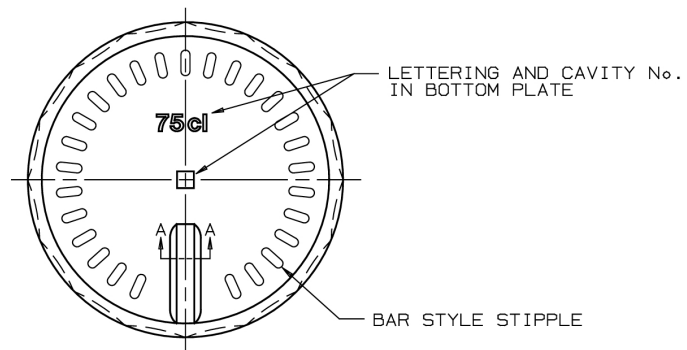
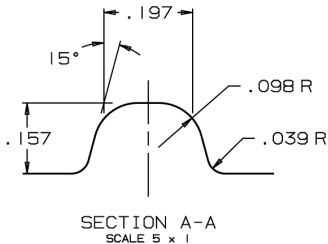
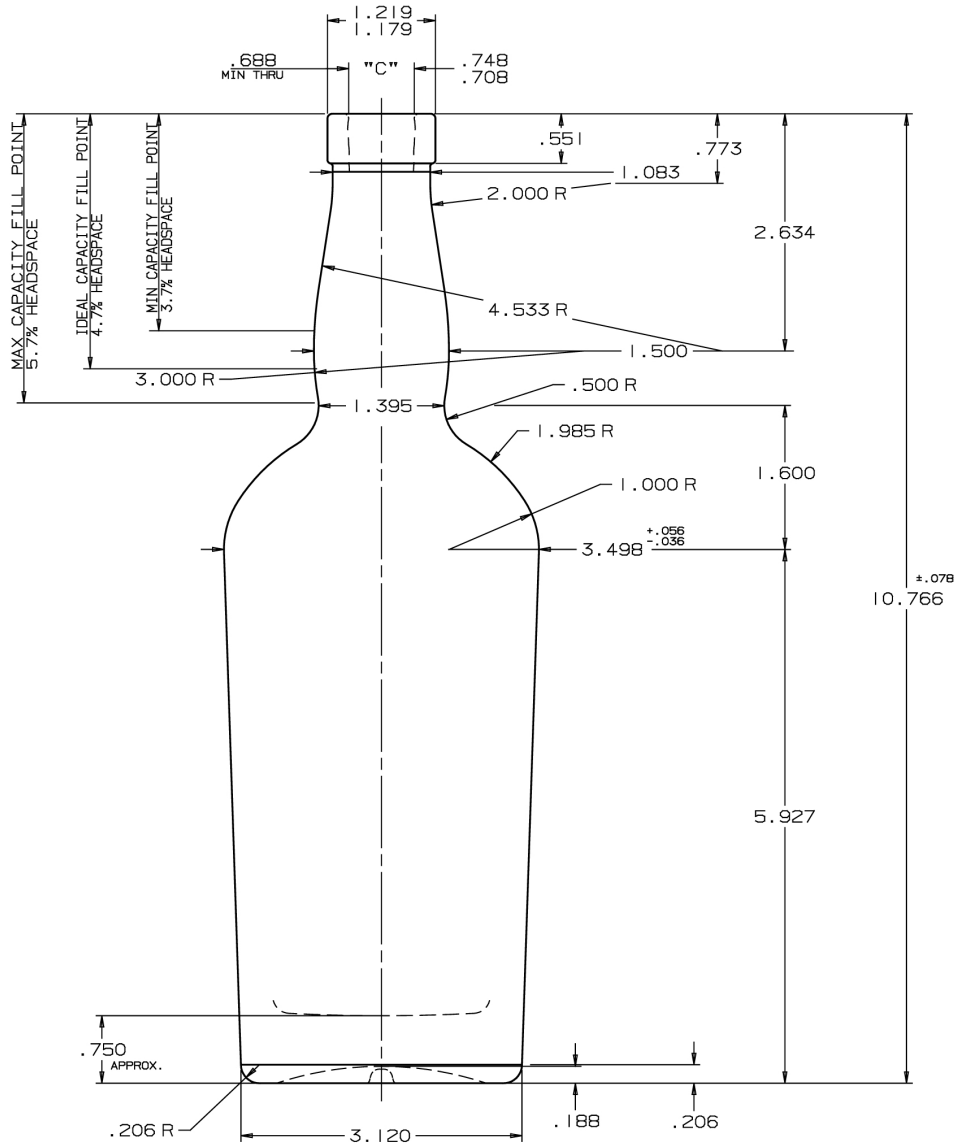


"C" DIMENSION CONTROLS CORK FIT AND MUST BE MAINTAINED FROM .125 TO .625 DOWN FROM TOP OF FINISH



CUSTOMER	DATE DRAWN	12/16/11
TITLES	DRAWN BY	ZANE
REVISIONS	CHECKED BY	
PROJECT NO.	SCALE	FULL UNLESS OTHERWISE SPECIFIED
APPROX. WGT.	23.109oz	
CAPACITY	785.0 cc ± 7.5 cc OF	
FINISH	SPECIAL 1B.5MM BAR TOP	
DRAWING NO: C-4.1000A		
685 GRAMS FLINT		

750ML TENNESSEE



P 888.326.5679 | F 847.486.5284 | E distiller@imperial-packaging.com
www.imperial-packaging.com